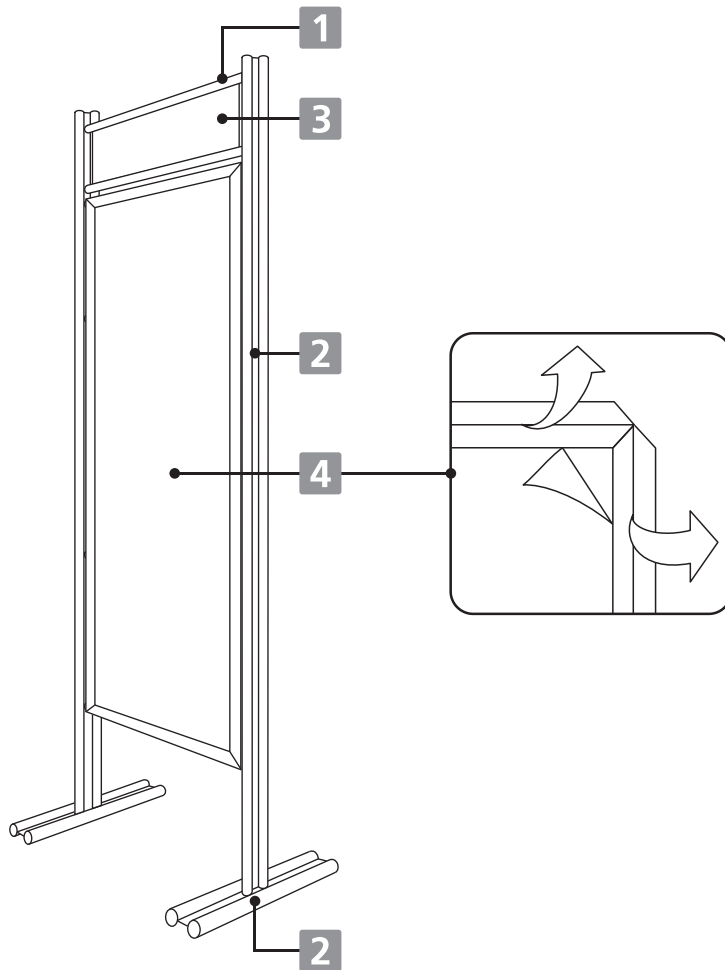


TOTEM

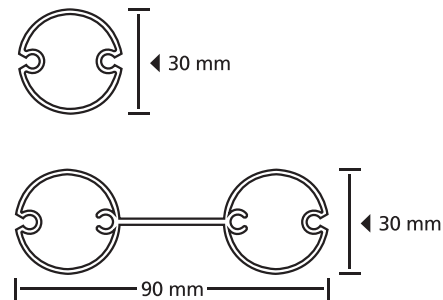
Card of the product



Description of drawing

- 1** Aluminium extrusion (single) Dual
- 2** Aluminium extrusion (double) Dual
- 3** PVC board
- 4** Snap frame with transparent anti-glare PVC foil (for all sizes up to 1000 x 1400 mm)

Section of Dual extrusion



i Custom sizes and colors are available upon request

aspro

Commercial Office
ul. Przemysłowa 14,
26-052 Sitkówka - Nowiny k/Kielc

t 041 346 80 00/10 **e** system@aspro.pl
f 041 346 80 01 **w** aspro-system.com.pl