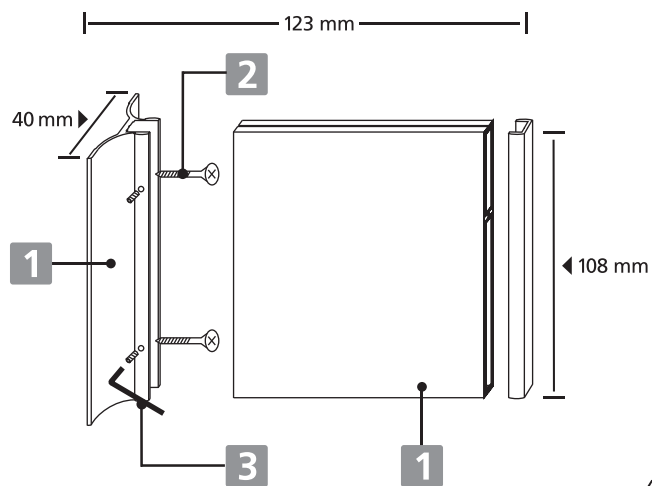
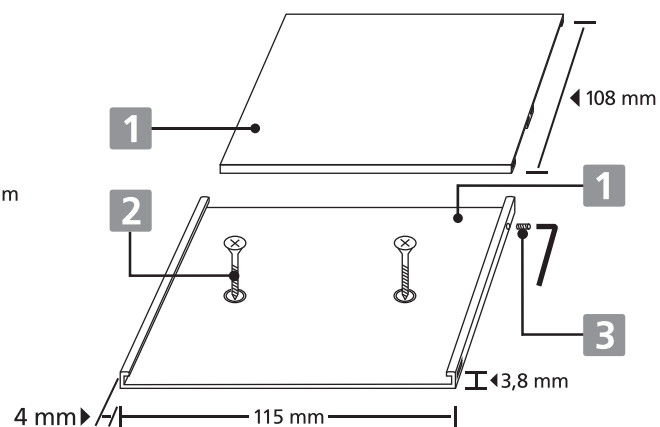


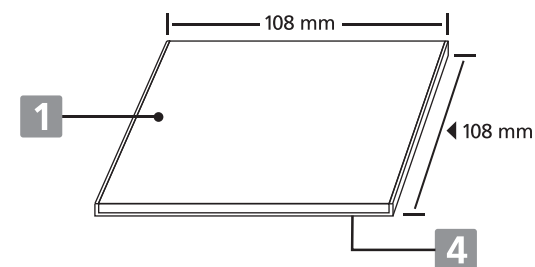
8-44001



8-44002



8-44003



Description of drawing

- 1** Aluminium extrusion
- 2** The mounting of 8-44001 and 8-44002 signs carried out by screws and fixing plugs
- 3** Blocking hex screw and key
- 4** The mounting of 8-44003 sign is carried out by double-sided adhesive foam

Standard versions of Aspro pictogram signs



i Custom design and colours are available upon request